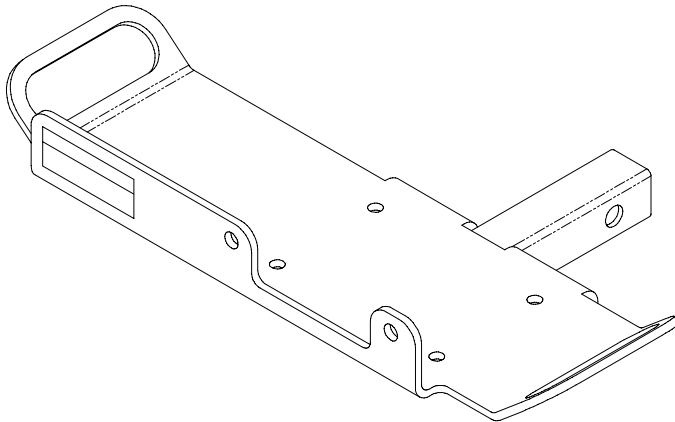


INSTALLATION INSTRUCTIONS FOR ATV WINCH QUICK MOUNT KIT #251076 FOR CLASS I RECEIVER



WARNING

- **SUBSTITUTION OF ATTACHING HARDWARE ITEMS (BOLTS, NUTS, OR WASHERS) DIFFERENT FROM THOSE SUPPLIED WITH YOUR WINCH OR MOUNTING KIT CAN LEAD TO FAILURE CAUSING DAMAGE OR SERIOUS INJURY.**
- **READ AND UNDERSTAND WINCH OWNER'S MANUAL AND THESE INSTRUCTIONS BEFORE INSTALLATION AND OPERATION OF WINCH. SEE WARNINGS AND CAUTIONS IN WINCH OWNER'S MANUAL.**

This kit is designed to be used with Ramsey Winches only. Use of this kit with other winches will void warranty. It is solely and exclusively designed for vehicle-mounted, non-industrial applications. All other applications will void warranty.



RAMSEY WINCH COMPANY
P.O. BOX 581510
TULSA, OKLAHOMA 74158-1510
PHONE: (918) 438-2760
FAX: (918) 438-6688
<http://www.ramsey.com>

913371-0403-B

INSTALLATION INSTRUCTIONS

1. Using hardware supplied with the winch, mount the winch and fairlead to the Quick Mount assembly (item #3). See Figure 1 on page 4.
2. Install the Quick Disconnect Motor Leads (item #1) to the motor terminals. Connect ring terminal of red lead to #1 terminal, and ring terminal of black lead to #2 terminal.
3. Refer to the installation instructions for your particular winch model:

Wireless Remote Control	Wireless Remote Install. Instructions, pp. 2-5
Rocker Switch	ATV Winch Owner's Manual, pp. 14-16
Manual Switch	ATV Winch Owner's Manual, pp. 9-11

The wiring schematics will change as shown at right. When installing the Quick Disconnect Wiring Harness (item #2), follow the instructions referenced above, except install the black lead in place of the black motor lead on the solenoid or switch and the red lead in place of the black w/yellow stripe motor lead on the solenoid or switch.

Note: In operation, the polarity of the red and black leads changes depending on the direction of operation of the winch (in or out).

4. Route the Quick Disconnect Wiring Harness connectors on the ATV so that they can easily be connected to the Quick Disconnect Motor Lead front or rear connectors when the Quick Mount is mounted at the front or rear receiver. Use provided cable ties to secure the wiring harness to the ATV body.

MAKE SURE WIRES ARE NOT DRAWN TAUT ACROSS ANY SURFACES WHICH COULD POSSIBLY DAMAGE THEM.

OPERATION

The ATV Quick Mount can be mounted to any standard front or rear Class I receiver. Secure Quick Mount in the receiver with the Hitch Pin. Lock Hitch Pin in place. **USE ONLY THE PROVIDED HITCH PIN TO SECURE THE QUICK MOUNT TO THE RECEIVER.** Connect Quick Disconnect Wiring Harness front or rear connector to connector on Quick Disconnect Motor Leads.

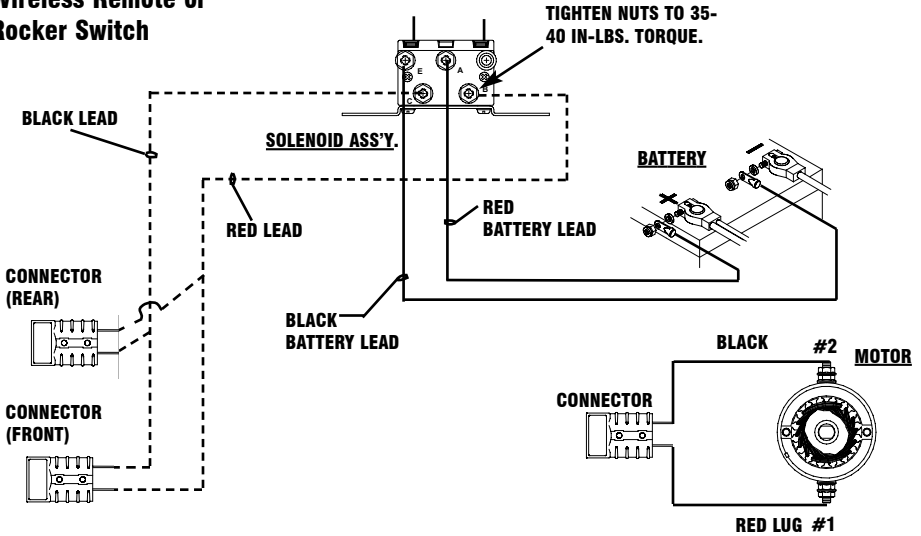
Install the dust covers on the ends of the Wiring Harness connectors when not in use.

Refer to Winch Owner's Manual for operating instructions for your specific model of winch.

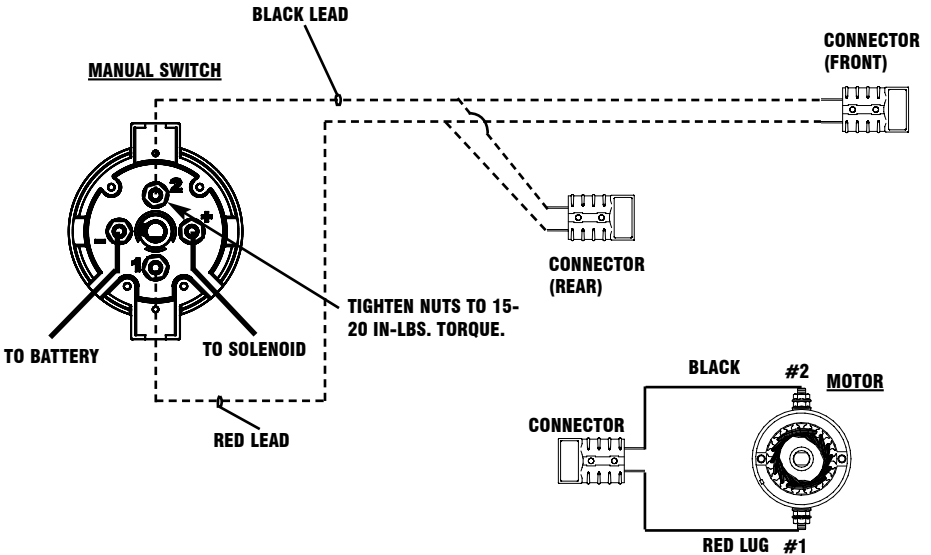
WIRING DIAGRAMS

Note: Refer to Winch Owner's Manual for complete wiring schematics.

Wireless Remote or Rocker Switch



Manual Switch



PARTS LIST KIT # 251076

Item No.	Qty.	Parts No.	Description
1	1	289213	QUICK DISCONNECT MOTOR LEADS
2	1	289214	QUICK DISCONNECT WIRING HARNESS
3	1	299730	QUICK MOUNT ASSEMBLY
4	1	440274	CABLE TIES (PKG OF 12)
5	1	448087	HITCH PIN
6	2	472078	DUST COVER

